

CABLE 396 RF: I-PEX MHF 4L TO 1.13 CABLE TO RP SMA RIGHT ANGLE BULKHEAD JACK WITH O-RING (IP67/68), 6GHz, GOLD PLATING

SPECIFICATIONS :

1. I-PEX MHF 4L PLUG, P/N: 20565-001R-13.
2. 1.13MM COAXIAL CABLE, COLOR: BLACK.
3. RP SMA RIGHT ANGLE BULKHEAD JACK WITH O-RING RATED TO IP67/68, GOLD PLATING, P/N: RFCT-SMA078-F13.

ENVIRONMENTAL:

A. BULKHEAD MOUNTED CONNECTOR (RFCT-SMA078-F13) RATED TO THE FOLLOWING SPECIFICATION:

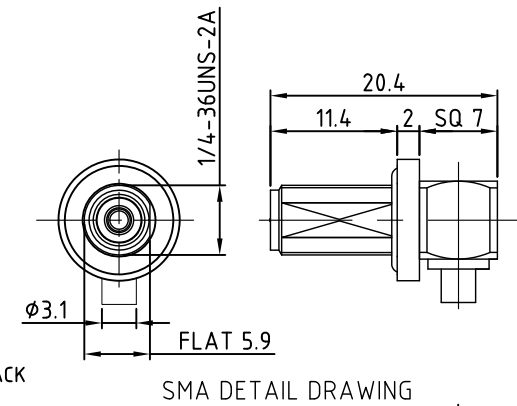
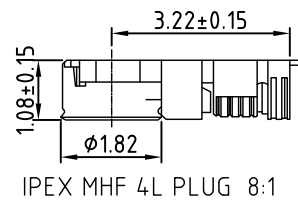
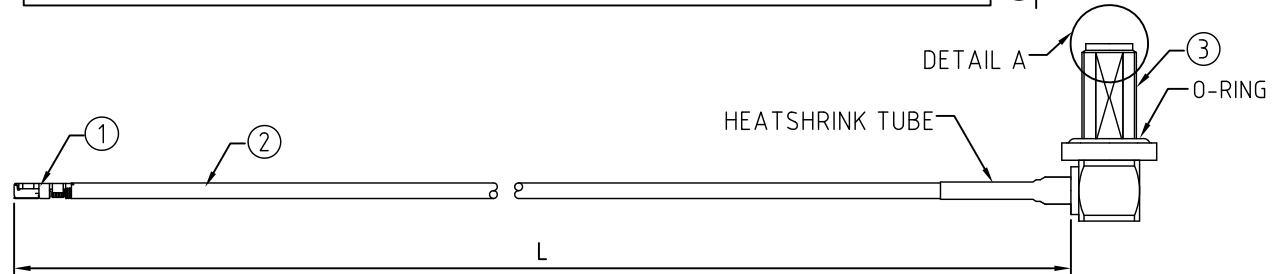
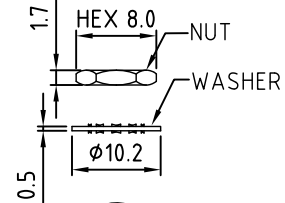
- i. IP6X - DUST TIGHT - NO PARTICLE INGRESS.
- ii. IPX7 WATERPROOF FOR 30 MINUTES UP TO 1 METER UNDERWATER.
- iii. IPX8 WATERPROOF FOR 48 HOURS AT 1 METER UNDERWATER.

NOTES:

1. THE ORIENTATION OF CONNECTORS ON DRAWING IS FOR REFERENCE ONLY, IF THE ORDER IS LEFT BLANK THE CONNECTOR WILL NOT HAVE FIXED ORIENTATION.
2. FIXED ORIENTATION IS SUGGESTED FOR CABLE LENGTH 25MM TO 100MM. PLEASE SPECIFY THE FIXED ORIENTATIONS FROM THE ORDER CODE (F1, F2, ETC)
3. CONTACT GRADCONN IF THE ORIENTATION YOU REQUIRE IS NOT SHOWN.
4. WORKING FREQUENCY RANGE: DC-6GHz.
5. OPERATING TEMPERATURE: -40°C TO +90°C
6. IMPEDANCE: 50 OHM.

USAGE PRECAUTIONS: CABLES USING 'MICRO' COAX ARE DELICATE:

- (i) HANDLE WITH CARE.
- (ii) DO NOT TWIST; APPLY EXCESSIVE FORCES OR SHARP BENDS TO THE CABLE. DO NOT FORCEFULLY DEFORM WIRES.
- (iii) CONSULT CONNECTOR MANUFACTURER'S DATASHEETS FOR DETAILED NOTES ON HANDLING INSTRUCTIONS.



HOW TO ORDER

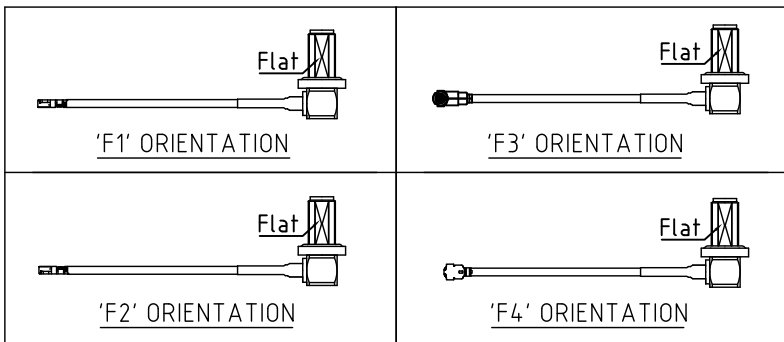
CABLE 396 RF - XXX - XX - X - 1

"L" LENGTH IN MM:  
eg: 100MM = 100  
(MIN. 050-MAX.400)  
STANDARD = 100, 150, 200  
Tolerance: 50-200mm: ±5mm.  
201-400mm: ±7mm.

CABLE SIZE:  
1 = 1.13MM CABLE, COLOR: BLACK

WASHER AND NUT OPTIONS:  
BLANK = SEPARATELY PACKED (STANDARD)  
A = ASSEMBLED WITH CONNECTOR

ORIENTATION OPTIONS:  
BLANK = DOES NOT HAVE A FIXED ORIENTATION  
F1 = OPPOSITE ORIENTATION (L=50-400MM)  
F2 = SAME ORIENTATION (L=50-400MM)  
F3 = LEFT CONNECTION SAME AS D-FLAT (L=50-400MM)  
F4 = LEFT CONNECTION OPPOSITE TO D-FLAT (L=50-400MM)  
(SEE NOTES 1, 2, 3 AND DIAGRAMS FOR MORE INFORMATION)



RECOMMENDED SMA MOUNTING HOLE

REV. DATE & DRN TO 05/05/20 - CC RELEASE

Scale: NTS	THIRD ANGLE	Unstated .X .XX .XXX ANGLES	Tolerances: N/A N/A N/A N/A
Drawn: CC			
App'd: XXX	Title CABLE ASSEMBLY		
Date: 5 MAY '20	Revision: 1.0	Unit: mm	

IP67/68 Rated Cables

www.gradconn.com

Type: Cable 396 RF
CABLE 396 RF
Drawing Number:
Sheet 1 of 1
Drawing © E and O E